

## ASSEMBLING INSTRUCTION

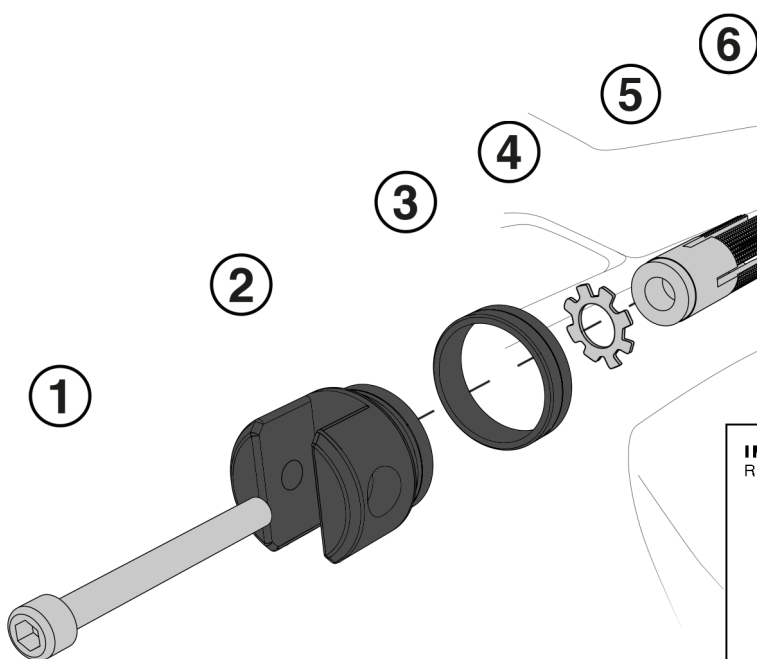
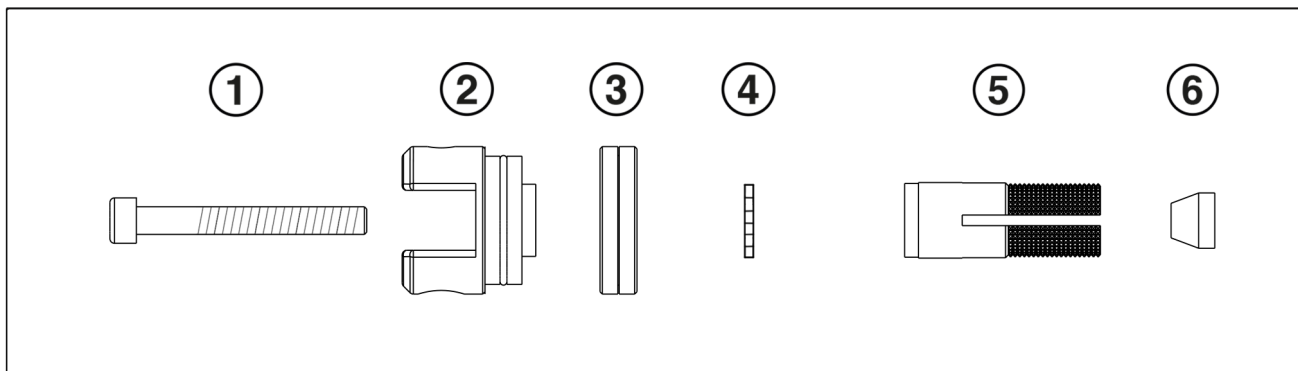
### MIRROR BAR-END HONDA FITTING

WWW.BARRACUDAMOTO.COM

#### LEGEND

- |   |   |
|---|---|
| 1. M6X55  | 5. EXPANDER<br>ESPANSORE<br>EXTENSOR<br>EXPANDER<br>EXPANSEUR |
| 2. BAR END<br>ANTIVIBRANTE<br>ANTIVIBRACION<br>LENKERGEWICHTE<br>EMBOUT DE GUIDON | 6. NUT<br>DADO<br>TUERCA<br>NUSS<br>ÉCROU                     |
| 3. INSERT<br>INSERTO<br>INSERTO<br>METALLEINSATZ<br>INSERT                        |   |
| 4. WASHER<br>RONDELLA<br>ARANDELA<br>SCHEIBE<br>RONDELLE                          |   |

#### COMPLETE SET



**IMPORTANT:**  
REMOVE THE ORIGINAL INSERT INSIDE THE HANDLE-BAR

