

**MOUNTING PROCEDURE**

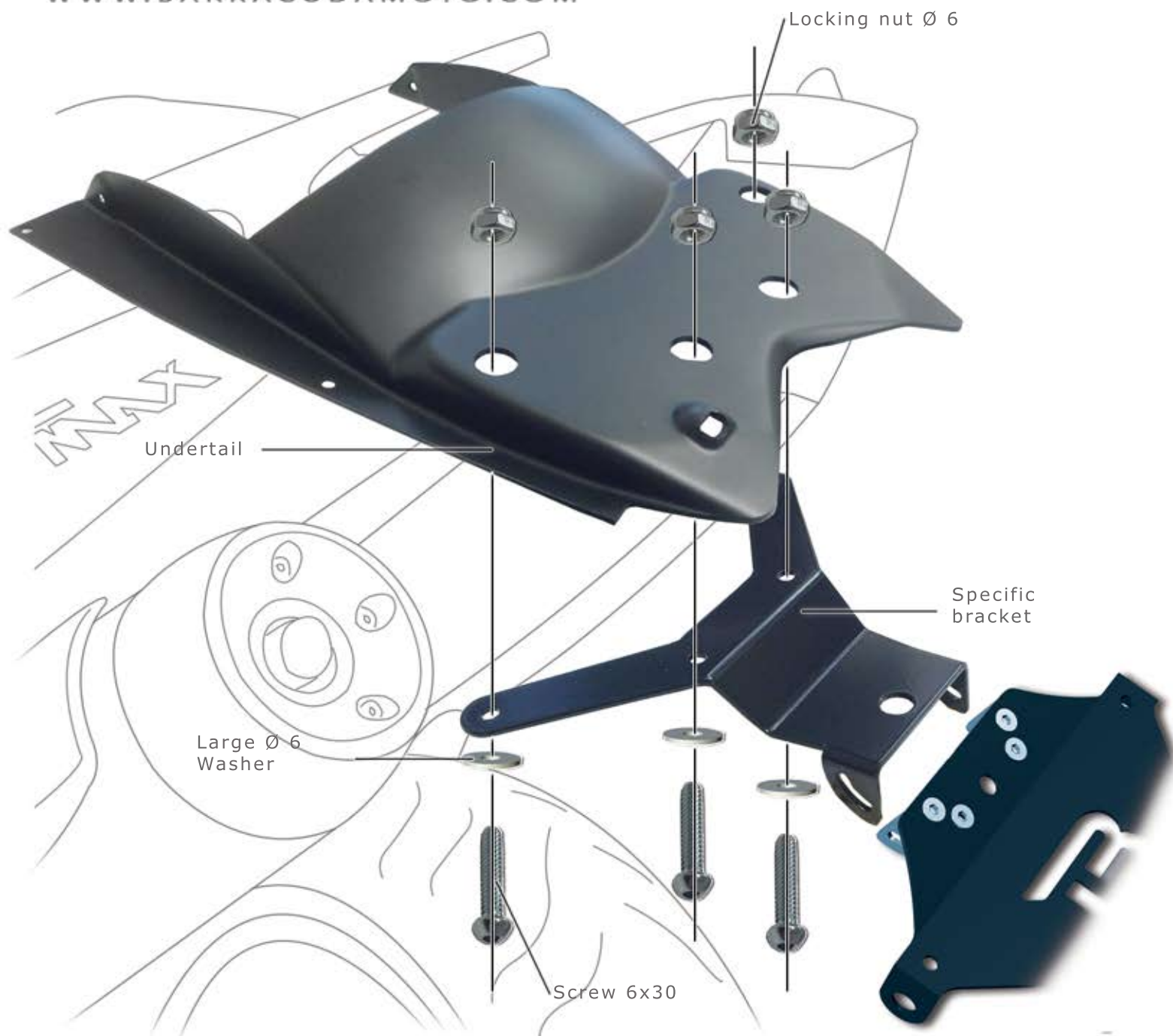
KIT LICENCE PLATE  
YAMAHA T-MAX 500 '08 - '11

**YT5104**

[WWW.BARRACUDAMOTO.COM](http://WWW.BARRACUDAMOTO.COM)

**KIT**

X1. UNDERTAIL  
X1. SPECIFIC BRACKET  
X4. ROUND HEAD SCREW 6X30  
X8. LARGE WASHER DIAMETER 6  
X4. LOCKING NUT DIAMETER 6



REMOVE THE ORIGINAL LICENCE PLATE COMPLETELY FROM THE MOTORBIKE.  
PUT THE ABS COMPONENT IN THE SAME POSITION OF THE ORIGINAL FIXING IT WITH THE IRON BRACKET USING THE 6X30 SCREW, DIAMETER 6 WASHERS AND LOCKING NUTS (THIS LAST FROM INSIDE).  
INSERT ALL ORIGINAL PLASTIC GRAFTS INTO THE SAME HOLES AND AT THE END FIX THE LICENCE PLATE.

WE ADVISE AN INCLINATION NOT EXCEEDING TO 30° TO AVOID SANCTIONS AND POSSIBLE DAMAGES.